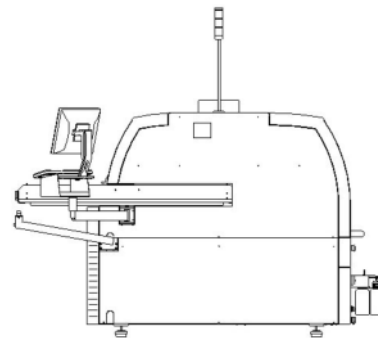
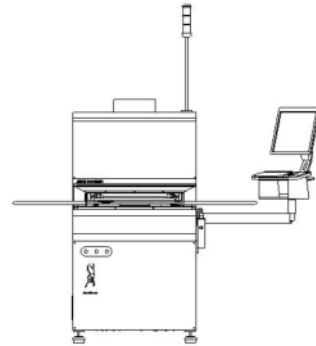


JADE HANDEX



SPECIFICATIONS

Height: 1627mm / 64" - excluding light stack
 Width: 1900mm / 74"
 Depth: 2508mm / 90"
 Board size: Max. - 457mm x 508mm / 18"x 20"
 Edge clearance: Above/below 3mm
 Height clearance: Above 95mm / below 45mm nominal
 Solder: Most commonly used solder types - includes lead-free
 Solder pot capacity: 15kg standard - 25kg large bath
 Applicators: AP style - 2.5mm to 16mm dia.
 Extended AP style - 2.5mm to 20mm dia.
 Micro nozzle - 1.5mm to 2.5mm
 Jet-tip style - 6mm to 40mm dia.
 Jet-Wave nozzle - up to 25mm width
 Special dedicated nozzles available upon request
 Flux: Low maintenance Drop-Jet system. Low solids (below 8%), no clean flux, pressurised and inerted system, optional water soluble system available.
 X, Y & Z axis resolution: 0.15mm
 Repeatability: +/- 0.05mm.
 Nitrogen supply pressure: 5 bar / 72 psi
 Nitrogen usage: 30-100 litres/min. - solder nozzle configuration dependent
 Nitrogen purity: 99.995% or better
 Air supply pressure: 5 bar / 72 psi
 Air usage: 10 litres/min. / 0.35 CFM
 Power Supplies: Single phase + PE
 Voltage: 230V
 Frequency: 50/60Hz
 Power: 10.5 kVA max. - machine configuration dependent
 Programming: PillarCOMM Windows® based 'Point & Click' interface



JADE HANDEX



Quick load twin PCB rotary table selective soldering system



Pillarhouse International Ltd.
 Rodney Way, Widford, Chelmsford, Essex CM1 3BY UK
 Pillarhouse USA, Inc.
 201 Lively Blvd, Elk Grove Village, IL 60007 USA
 Pillarhouse (Suzhou) Soldering Systems Co., Ltd.
 11 Yuanqi Road, Xiancheng, Suzhou, China 215131

www.pillarhouse.co.uk
 Tel: +44 (0) 1245 491333 Fax: +44 (0) 1245 491331
www.pillarhouseusa.com
 Tel: +1 847 593 9080 Fax: +1 847 593 9084
www.pillarhouse.cn
 Tel: +86 512 6586 0460 Fax: +86 512 6959 0567



JADE HANDEX

Quick load twin PCB rotary table selective soldering system



Designed to meet the needs of lean manufacturing, the Jade-Handex offers high speed flexible throughput at minimal cost.

The Jade-Handex is equipped with a revolutionary twin PCB rotary table transport system to allow simultaneous load / unload during product processing.

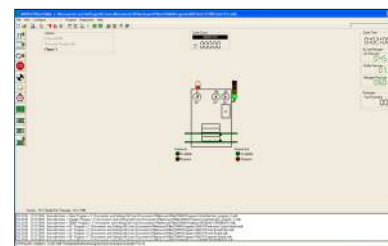
Our new generation patented drop-jet design fluxer offers quick and effective flushing of the pressurised flux chamber. This helps to keep maintenance levels to a minimum whilst enabling use of higher solids content fluxes as well as water soluble fluxes.

As part of the entry level philosophy for this system, a newly designed low maintenance solder bath and pump mechanism has been developed which moves in three axes of movement whilst not limiting access to the PCB. Solder is applied using proven technology through our AP-1 nozzle design or custom specialised nozzles, incorporating patented spiral solder return to bath technology offering reduced solder balling potential.

As with more sophisticated Pillarhouse systems, the soldering process is enhanced by an inerted hot Nitrogen curtain which provides an inert atmosphere for the soldering process and also assists in the prevention of oxidation. This process provides a local pre-heat to the joint thus reducing thermal shock to localised components.



SLIDE IN/OUT BOTTOM-SIDE IR PREHEAT



OPERATION

The Jade Handex is controlled by a PC, through PillarCOMM, a Windows® based 'Point & Click' interface with PCB image display, as illustrated above. Additionally, our optional PillarPAD offline package allows the operator to produce programs independently from the machine using Gerber data.

TWIN INDEPENDENT FLUX BOTTLE ASSEMBLY

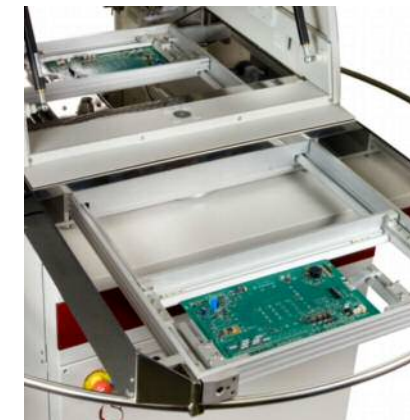


STANDARD FEATURES

- Integral PC and machine mounted TFT monitor
- Auto solder top up & level detect
- Inerted nitrogen system
- Drop-jet fluxer
- Two AP-1 solder nozzle tips
- Internal fume extraction
- Colour programming camera
- Rotary indexing table with twin work holding positions
- PillarCOMM Windows® based 'Point & Click' interface
- Light stack
- Flux level sensor
- Process viewing camera with record feature
- Lead free capability
- Day-to-day service kit

MONITORING OPTIONS

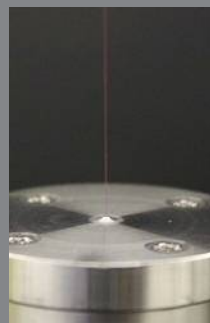
- Flux presence sensor - thermistor style
- Flux spray monitoring
- Flux flow monitoring
- Flux spray & flow monitoring
- O₂ ppm monitoring
- Solder wave height measurement and correction



JADE-HANDEX ADJUSTABLE TOOLING ROTATE MECHANISM

SYSTEM OPTIONS

- Ultrasonic fluxing
- Dual drop-jet / ultrasonic fluxing
- Top-side instant IR preheat
- Bottom side slide in / slide out IR preheat
- Pyrometer closed loop temperature control
- Solder reel identification
- Solder bath coding (identifies correct bath for program)
- Fiducial recognition and correction system
- Laser board warpage control
- Multiple level password protection
- PillarPAD offline programming system
- Encoders on X, Y and Z axis



DROP-JET FLUX HEAD



ULTRASONIC FLUX HEAD



BOTTOM-SIDE SLIDE IN/OUT IR PREHEAT